

MetPak II™ Weather Station



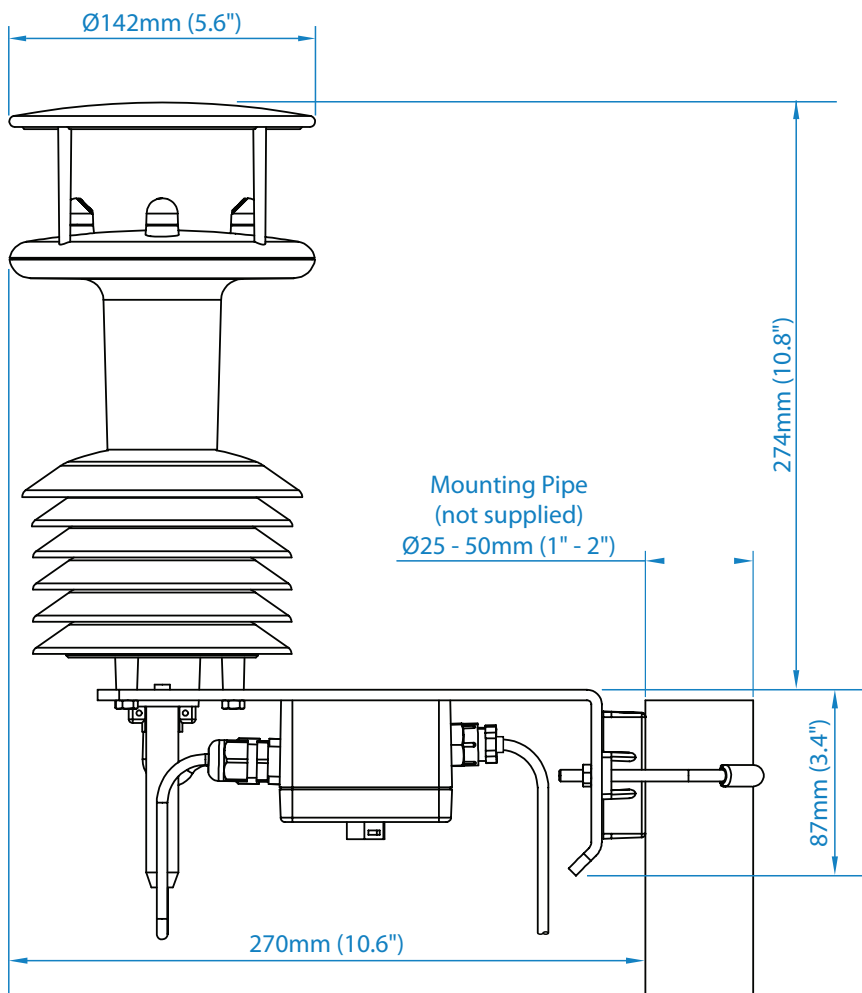
Key Features

- Wind Speed & Direction
- Temperature
- Humidity
- Barometric Pressure
- Dew Point

The MetPak II™ weather station utilises Gill WindSonic ultrasonic technology, an internal barometric pressure sensor and a Rotronic Hygroclip HC2-S3 temperature/humidity probe. The temperature/humidity probe is mounted within a naturally aspirated radiation shield. The unit is supplied with a rugged U-bolt mounting clamp that attaches to any suitable vertical pipe up to 50 mm diameter.



MetPak II™



Optional Accessories

- 15m Power and Data Cable
- USB Configuration Cable
- MetView Display Software
- MetSet Configuration Software

Weather Station

Wind Measurement

Parameters	Wind speed & direction or U & V (Vectors)
Units of measure	m/s, knots, mph, kph, ft/min

	Wind Speed	Wind Direction
Range	0-60m/s (134 mph)	0 to 359° - No dead band
Accuracy	±2% @12m/s	±3° @12m/s
Resolution	0.01m/s (0.02 mph)	1°

Air Temperature

Air temperature	Pt100 1/3 Class B
Range	-35°C to +70°C
Accuracy	±0.1°C
Resolution	0.1°C (0.1°F)
Units of measure	°C or °F

Relative Humidity

Range	0-100% RH
Accuracy	±0.8% @23°C
Resolution	0.1% RH
Units of measure	% RH
Compensated for temperature dependency	

Barometric Pressure

Range	600-1100hPa
Accuracy	±0.5hPa
Resolution	0.1hPa
Units of measure	hPa, mbar, mmHg, InHg
Compensated for temperature dependency -20°C to +70°C	

Dew Point

Resolution	0.1°C (0.1°F)
Units of measure	°C or °F
Accuracy	±0.15°C (23°C ambient temp @20°C dew point)

Software

MetView	Free software providing the means for the display of data and logging
MetSet	Free software providing the means for the configuration of the Metpak II & MetPak Pro

Power Supply

Input voltage	5 V to 30 V
Current	< 16mA (Output 1 second) @12 V
SDI-12	
Input voltage	12 V nominal (9.6-16 V)
Current	< 6.5mA Low power operation

Outputs

Digital outputs	RS232, RS422, RS485* or SDI-12
Baud rates	4800-57600 (ASCII) or 1200 (SDI-12)
Protocols	ASCII, SDI-12 V1.3 or NMEA 0183
Data output	1s, 2s, 4s or polled mode

* 2 wire point to point

Environmental

Protection class	IP65
EMC	EN 61326
Operating temperature	-35°C to +70°C
Storage temperature	-40°C to +80°C
Operating humidity	0% to 100% humidity

Mechanical

External construction	UV stabilised white thermoplastic
Fittings	Gloss white painted aluminium mounting bracket (with moulded plastic V-block and stainless steel U-bolt), which allows attachment to a vertical pipe of any diameter between 25mm and 50mm
Weight	1.1kg (including bracket)

This product is in continuous development and therefore specifications may be subject to change without prior notice.



Gill Instruments Ltd
Saltmarsh Park
67 Gosport Street
Lymington
Hampshire
SO41 9EG, UK

T: +44 (0) 1590 613 500
F: +44 (0) 1590 613 555
E: anem@gill.co.uk

www.gill.co.uk



Copyright © Gill Instruments 2011
D212

Gill Instruments Ltd
Reg No. 3154453 Registered Office: The George Business Centre, Christchurch Road, New Milton, BH25 6QJ