

meteo M&R

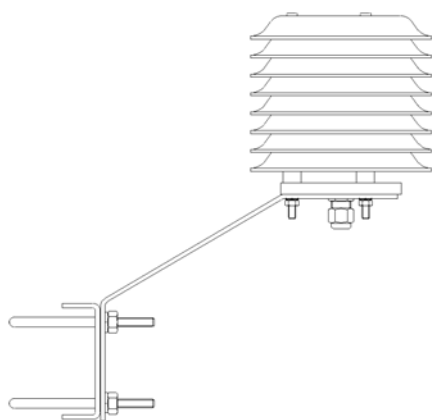
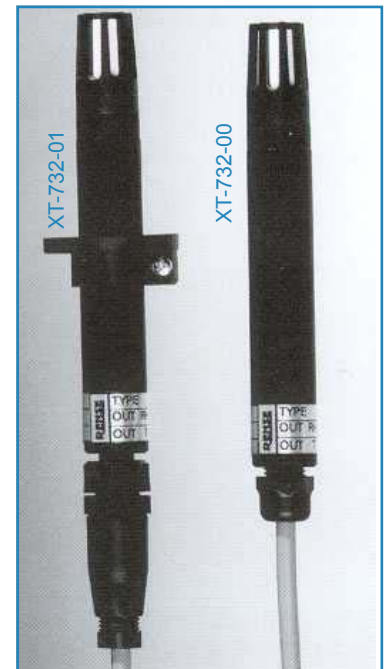
temperature transmitter

temperature transmitter model XT

With a measuring range of $-20..80\text{ }^{\circ}\text{C}$, the Rense model XT temperature transmitter is a high quality transmitter for measuring outdoor conditions. The sensor has to be protected against radiation but also needs to be ventilated. Therefore you can place the sensor into sensor screen model 511.30. This sensor screen can be supplied with mounting bracket.

Suggestion

Ask for the combined temperature and humidity transmitters of Rense Instruments!



technical specifications

measuring element $^{\circ}\text{C}$	Pt-100, 1/3 DIN B
measuring range	$-20..80^{\circ}\text{C}$
accuracy $^{\circ}\text{C}$	$\pm 0,3^{\circ}\text{C}$ @ 25°C , typical
connector	IP-67
housing	diameter 19 mm, lengte 140 mm
ambient temperature	$-20..+60^{\circ}\text{C}$

XT-732-01 + see connections

output	0..10V ($> 10\text{K}\Omega$)
supply	14.. 24 VDC/ 24 VAC

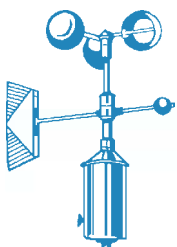
XT-730-01 + see connections

output	4.. 20mA ($< 500\ \Omega$)
supply	8.. 24VDC

connections

with cable 2 mtrs	A-000031
with cable 5 mtrs	A-000032
connector without kabel	A-000030

made to measure



ingenieursbureau **wittich & visser**

scientific and meteorological instruments

handelskade 76 po box 1111 tel. +31 70 3070706 www.wittich.nl
2288 bg rijswijk 2280 cc rijswijk fax +31 70 3070938 info@wittich.nl
the netherlands the netherlands