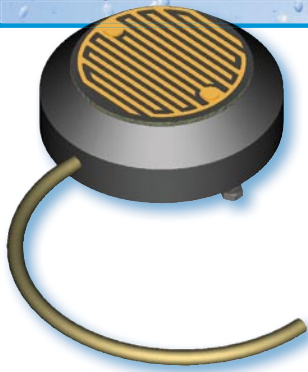


# Meteo M&R

## precipitation detection



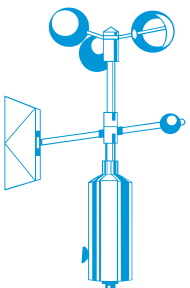
## RSG-4 & 8RA-4 precipitation alarm

PRECIPITATION SENSOR & SIGNAL CONVERTER

GOLDPLATED & CORROSION RESISTANT

HEATING ELEMENTS & ADJUSTABLE SWITCH OVER

The rain alarm consists of a sensor model RSG-4 and a signal converter model 8RA-4. The instrument provides a switch-over contact when it rains. The sensor is gold-plated and corrosion resistant.



ingenieursbureau **wittich & visser**

scientific and meteorological instruments

# precipitation detection

## precipitation alarm

### sensor RSG4

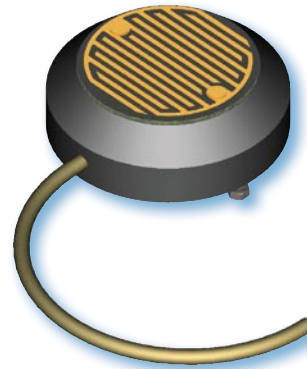
### converter 8RA4

The rain alarm consists of a sensor model RSG-4 and a signal converter model 8RA-4 and provides a switch-over contact when it rains.

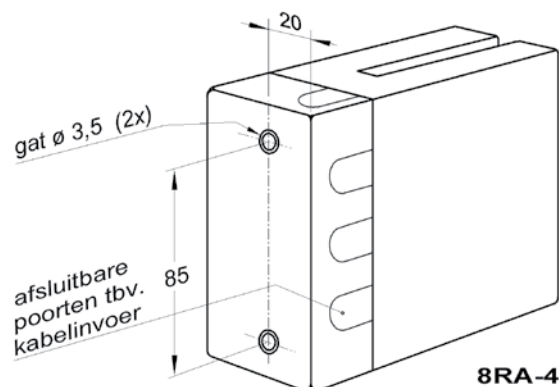
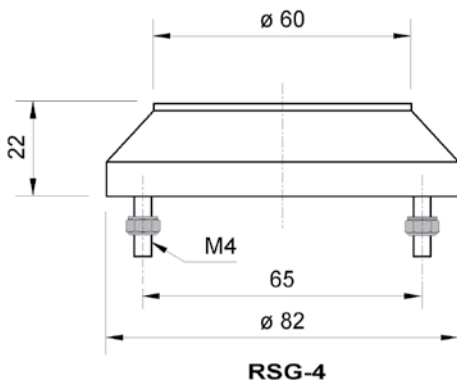
The sensor is gold-plated and corrosion resistant.

Heating elements in the sensor prevents unintended alarm when there is heavy mist or dew.

The sensitivity of the switch-over contact is adjustable on the signal converter.



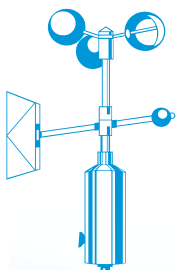
## DRAWING



## TECHNICAL SPECIFICATIONS

|                     |   |
|---------------------|---|
| detection           | rainfall & snow   |
| power supply        | 230 VAC, 50/60 Hz   |
| sensor RSG4         | thermally controlled electrodes<br>18VDC, max 0,5 A between which<br>the resistance is measured |
| output signal       | potential free contact for max. 250<br>VAC, 8A non inductive                                    |
| delay times         | selectable between 10 secondes and<br>9,5 minutes with DIP switches                             |
| installation sensor | under an angle of 15°   |

made to measure



ingenieursbureau **wittich & visser**

scientific and meteorological instruments

handelskade 76  
2288 bg rijswijk  
the netherlands

p.o.box 1111  
2280 cc rijswijk  
the netherlands

tel. +31 70 3070706  
fax +31 70 3070938

www.wittich.nl  
info@wittich.nl