

cloud ceilometer

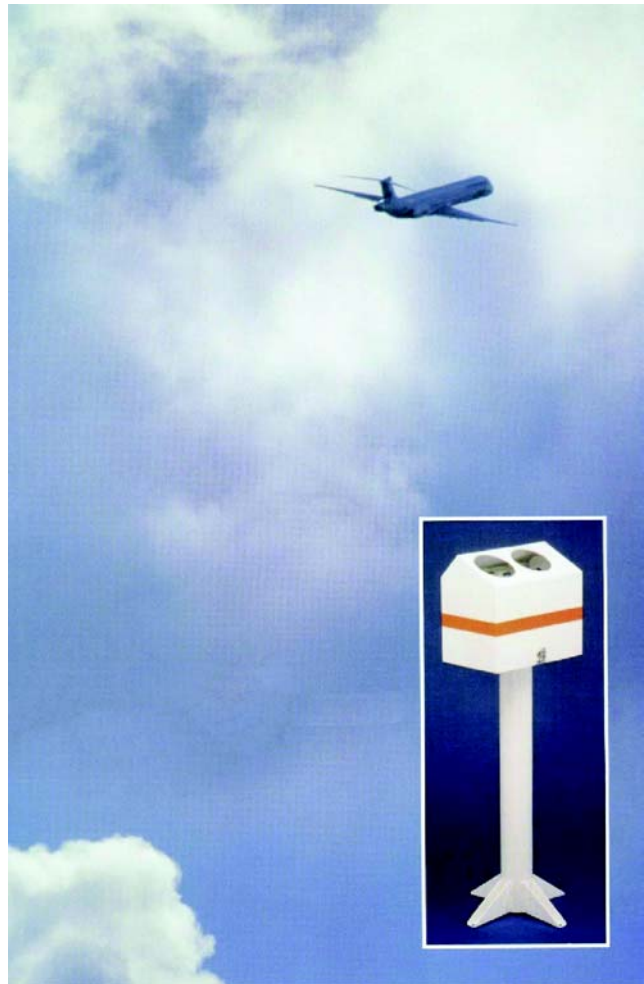
cloud ceilometer model CBME Eliasson

The cloud ceilometer is a stand alone instrument designed for fixed and mobile installations where accurate and reliable cloud height information is required.

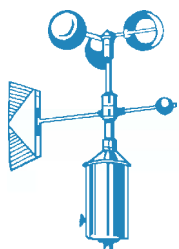
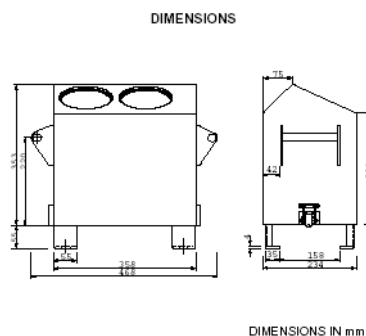
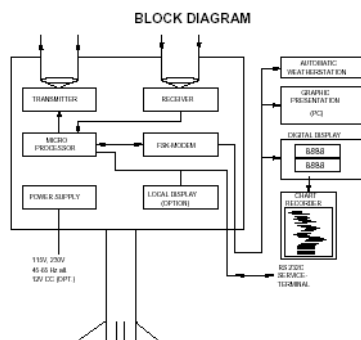
The design is based on the LIDAR principle. Easy installation and maintenance. The cloud ceilometer has low weight and low power consumption. Very long laser life (calc. 10 year) and 25.000 feet measuring range capability.

technical specifications

measuring range	30 .. 12.500 ft
resolution	20 ft
measuring interval	45 sec.
outputs	RS-232C;
output data	cloud height (multiple bases) back scatter signal profile graphic program for PC



made to measure



ingenieursbureau **wittich & visser**

scientific and meteorological instruments

handelskade 76 po box 1111 tel. +31 70 3070706 www.wittich.nl
2288 bg rijswijk 2280 cc rijswijk fax +31 70 3070938 info@wittich.nl
the netherlands the netherlands